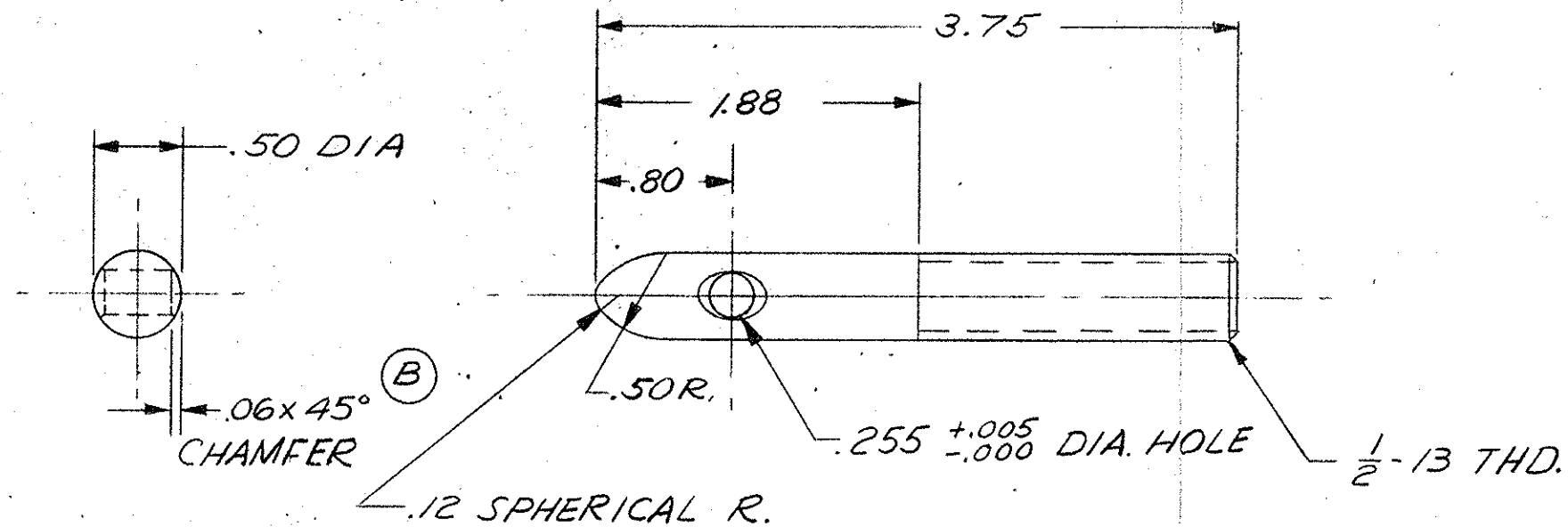



S8WS-16929-A

S8WS-16929-A



MATERIAL: STAINLESS STEEL
SAE 30303 OR EQUIV.

REL. FOR PRODUCTION				RZ	
E.C. NO.	CHG. LET.	REVISIONS		DATE	BY
CUSTOMER MODEL NO. XR7G & HERTZ		IONIA MODEL NO. 1968 COUGAR			
SUPERSEDES S825-16929-A		SUPERSEDED BY			
REF.		NEXT ASSY.			
EXP. NO.		LAYOUT NO.			
		A.O. Smith Corporation IONIA, MICHIGAN PRODUCT ENGINEERING			
TITLE PIN-HOOD AUX HOOD LOCK					
MATERIAL NOTED					
DRAWN G R	DATE 4-1-68	SCALE FULL	PART NUMBER		
CHECKED RZ	APPROVED RZ	ENGINEER RZ	S8WS-16929-A		