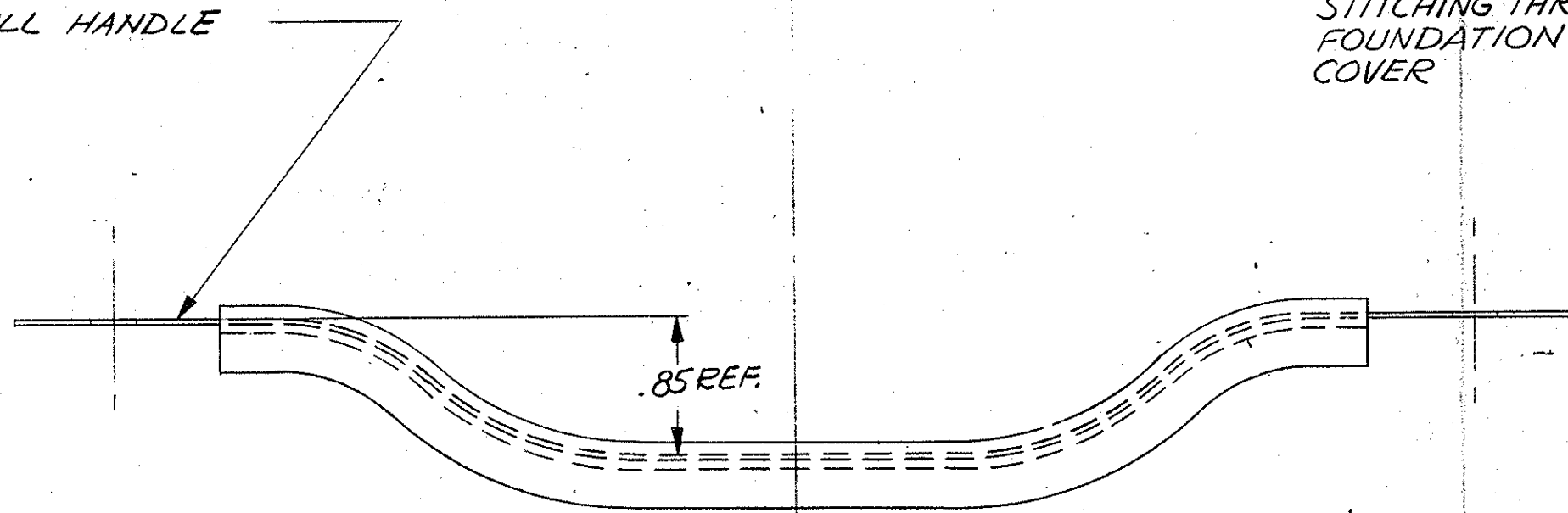
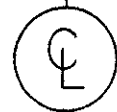


REINF.-DOOR PULL HANDLE

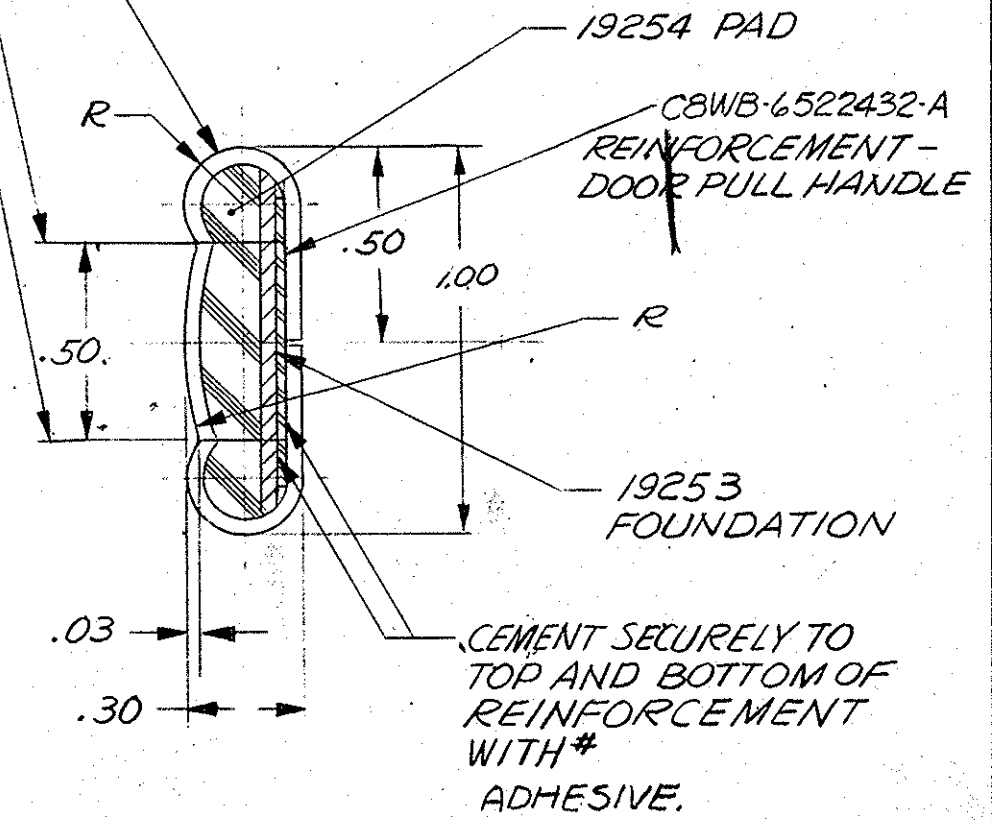


.85 REF.

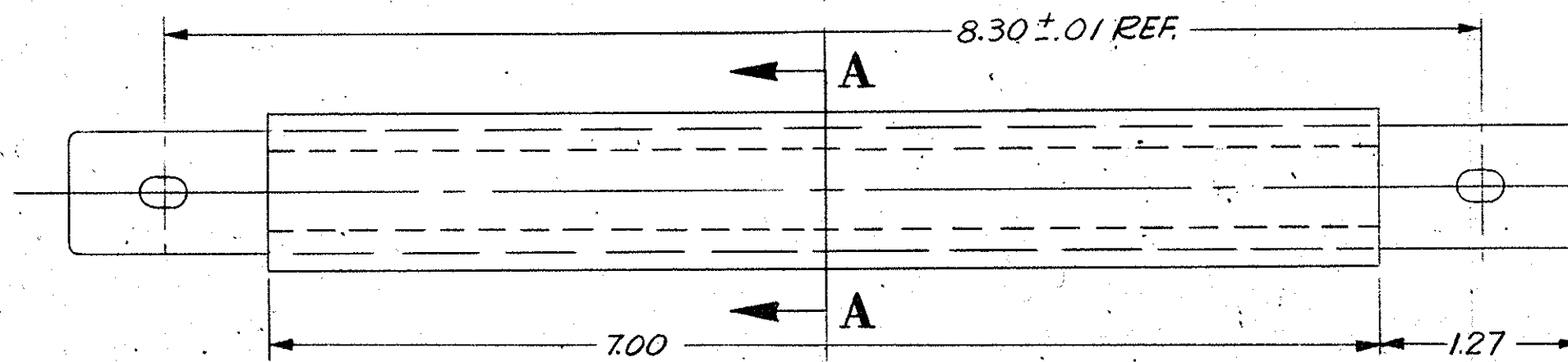
SYMM ABOUT



19255 COVER-LEATHER
STITCHING THRU PAD,
FOUNDATION AND
COVER



SECTION A-A
2 TIMES SIZE
DIMENSIONS CONSTANT RADIALY
EXCEPT AS SHOWN



SYMM ABOUT



NOTES:
UNLESS OTHERWISE SPECIFIED—

SAMPLE TO BE APPROVED BY ENGINEERING
DEPT. PRIOR TO PRODUCTION
FOR COLOR SEE TRIM COLOR CHART
*

- EPL 1968 COUGAR				12/27/68	
REL. FOR PRODUCTION					
REVISIONS					
E.C. NO.	CHG. LET.	DATE	BY	CK.	
CUSTOMER MODEL NO.		IONIA MODEL NO.			
SUPERSEDES		SUPERSEDED BY			
REF.		NEXT ASSY.			
EXP. NO.		LAYOUT NO.			
SMITH PLASTICS DIVISION		A.O. Smith Corporation			
IONIA, MICHIGAN		PRODUCT ENGINEERING			
TITLE					
HANDLE ASSY-DOOR PULL					
MATERIAL					
DRAWN	DATE	SCALE	PART NUMBER		
LEHUN	1-13-68	FULL	S8WS-6526656-AW		
CHECKED	APPROVED	ENGINEER			